

# MiniMag™

## Compact Intelligent Magstripe Swipe Reader

### Full Functionality & Compact Size

The MiniMag Intelligent Reader delivers exceptional performance in an intelligently designed housing. It can read up to 3 tracks of magnetic stripe card data regardless of swiping direction or speed that increases usability. MiniMag's compact footprint is ideal for POS, Security, Loyalty and other applications where space is limited.

### Easy to Use & Install

With the uniquely designed flat surface allows for mounting in different orientations by using threaded inserts or Velcro. The cable can exit through the side or bottom, increasing flexibility in mounting options.

### Multiple Interfaces to Meet Your Needs

MiniMag is an intelligent swipe reader with 6 communication interfaces: keyboard (PS/2) wedge, USB/KB USB/HID, RS232, RS232 port power, and USB/CDC serial interfaces. JPOS & OPOS drivers are also available.

### Many Programmable Features

The MiniMag is a fully programmable reader. Reader output format can be customized with its own user friendly Windows based MagSwipe Configuration Utility. For example, after reading & validating card data, the unit can be programmed to parse the data, insert control characters, and add prefix/suffix characters while maintaining data integrity through vertical and longitudinal error checking. For interfaces that require it, the reader has language options available to ensure that the correct data is sent to the terminal.

### Features and Benefits

- Interfaces: KB, RS232, RS232 PortPower, USB/KB, USB/CDC, or USB/HID
- User Friendly Configuration Software simplified data editing and configuration
- Discriminates card data formats between AAMVA and CA DMV
- Reads up to 3 tracks of information
- Reliable for a minimum of 1,000,000 cycles
- Signifies successful reads with a beeper and LED indicator
- Can be used free standing or mounted so it can work with many applications
- Threaded inserts for easy and flexible mounting
- 2 Year warranty from date of invoice

**IDTECH®**  
Value through Innovation



# MiniMag Specifications IDMB-33XXXX

## Electrical

**Power Requirements:** +5 VDC +/-10%, 50mV ripple Max.  
Keyboard, 40mA Max.  
USB/KB and RS-232, 70mA Max.  
USB/HID and USB/CDC 5.5mA typical with LED, 8mA peak

**Interfaces:** Keyboard (PS/2), RS-232, RS-232 Port-Powered, USB/KB, USB/HID, USB/CDC

## Environmental

**Operating Temperature:** 32°F to 131°F (0°C to 55°C)  
**Storage Temperature:** -22°F to 158°F (-30°C to 70°C)  
**Humidity:** Maximum 95% non-condensing, dry storage

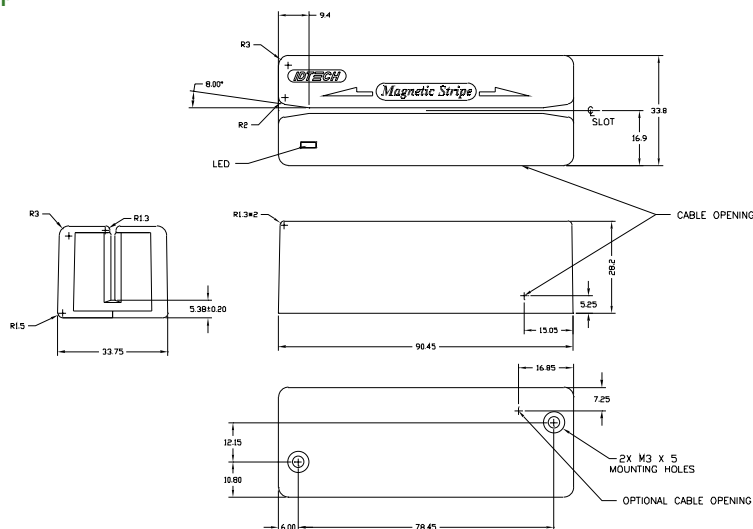
## Reliability

**Operating Life:** 1,000,000 cycles minimum  
**Warranty:** Two years, parts and labor

## Mechanical

**Media Thickness:** 0.015 inches (0.127mm) to 0.038 inches (1.14mm)  
**Media Formats:** ISO 7811, AAMVA, and other F2F formats  
**Slot Width:** 0.040 inches (1.37mm)  
**Swipe Speed:** 3 to 60 inches per second, bi-directional  
**Dimensions(L)x(W)x(H):** 3.54 inches (90mm) x 1.34 inches (34mm) x 1.10 inches (28mm)  
**Weight:** 4.6 oz.  
**Indicators:** Tri-colored LED, beeper (excluding on port-powered model)  
**Cable Length:** 6-foot side exit cable (Bottom exit is an option)  
**Cable Connector:** Keyboard - 6 pin mini-DIN, RS-232- DE9F

## Footprint:



**IDTECH**<sup>®</sup>  
Value through Innovation

**Corporate Headquarters:**  
10721 Walker Street Cypress, California 90630  
www.idtechproducts.com  
(714) 761-6368 sales@idtechproducts.com

**International Sales Office  
for Canada & South America:**  
+450 465 5261 (Canada) robertop@idtechproducts.com

**European Sales Offices:**  
+33 5 65 50 28 59 (France)  
+49(0) 8851 6159900 (Germany)  
emea@idtechproducts.com

**ISO 9001 : 2000 Certified**

